



20U42

Electric actuators, 20U.. / 20M..

- Electric actuators for HVAC applications
- Power supply U_v : AC/DC 24 Volt or AC 230 Volt
- Control signal Y: 0(2) .. 10Vdc or 3-point control
- Force: min. 150N
- Stroke: max. 9mm
- Electrical wiring: cable 1,5m
- Auto adaptive
- Manual override, with automatic power supply cut off
- Mechanical position indicator

150N



9mm

Technical data



energy efficiency score

- ✓ low consumption : 2,5W
- ✓ precise control
- ✓ noiseless operation
- ✓ low TCO



	Type	20M22.RZ	20U42.RZ	20U42
Running time @ 50Hz ¹⁾	s	140	140	180
Force	N	150	150	200
Stroke	mm	max. 9	max. 9	max. 9
Adapter		M30 x 1.5	M30 x 1.5	M30 x 1
Power supply U_v	VAC	230 +6% -10%	24 ±10%	24 ±10%
	VDC		24 ±10%	24 ±10%
Frequency	Hz	50/60 ±5%	50/60 ±5%	50/60 ±5%
Consumption	VA	2.5	2.5	2.5
Control signal Y ²⁾		3-point	0(2)..10Vdc (70 kOhm) 3-point	0(2)..10Vdc (70 kOhm) 3-point
Degree of protection		IP40		
Electrical wiring		1.5 m flexible cable (0,5 mm ²) with wire ends		
Operating mode		S3-100% ED		
End position switch off		load dependent		
Ambient temperature		0..+60°C		
Weight	kg	0.18		

¹⁾ power supply DC 24 Volt : only rectified alternating current is to be used

TCO : total cost of ownership

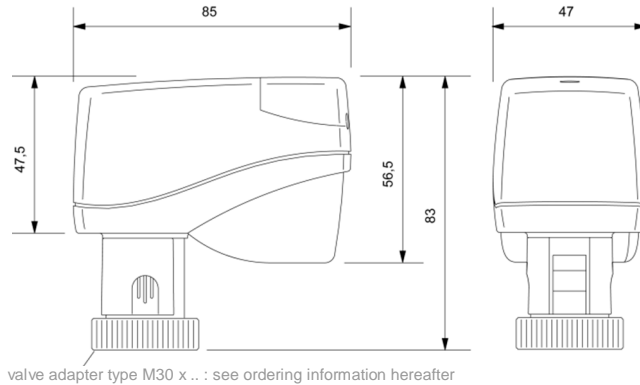
Product key

The product identification key contains all essential data defining the unique features of the valve actuator.

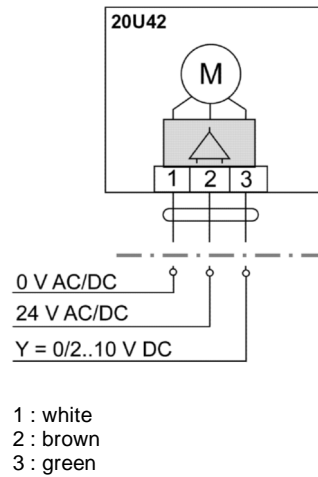
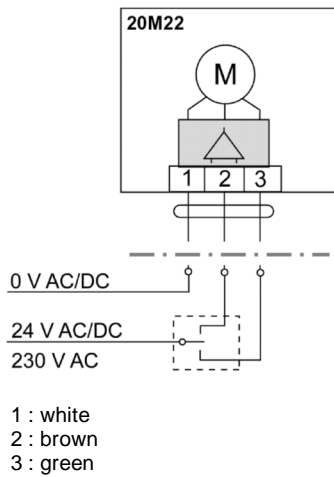
Example: type 20U42

20	U	4	2	-	
					Series and force
					20 150N min. (see also ordering information)
	U				Type of control signal
	M				U 0..10Vdc + 3-point control
					M 3-point control
		2			Power supply
		4			2 AC 230 Volt
					4 AC/DC 24 Volt
			2		Running time
					2 20s/mm
				-	Special versions
				RZ	- adapter for control valves, type RS..
				HE	RZ adapter for control valves, type RZ..
					HE adapter for control valves, type NV..

Dimensions



Electrical wiring



Ordering information

Type	U _v		Y		Force	Stroke	Time	Valve adapter ¹⁾
	AC230V	AC/DC24V	0..10Vdc	3point				
20U42		●	●	●	200N	9mm	180s	M30 x 1
20U42.RZ		●	●	●	150N	9mm	140s	M30 x 1.5
20M22.RZ	●			●	150N	9mm	140s	M30 x 1.5
20U42.HE		●	●	●	100N	3mm	45s	M30 x 1.5
20M22.HE	●			●	100N	3mm	45s	M30 x 1.5
20U42.DF1032		●	●	●	200N	9mm	180s	ABQM DN10..DN32

¹⁾ other versions on request

Belparts and energetx are a registered trademarks of Belparts NV.